

# Manipulators

## ▶▶ *MP series*



■ MP-6060H

ProArc manipulators are heavy duty and precise automatic TIG & MIG welding systems. They are design for circumferential and longitudinal welds of great length. Our MP series hae maximize both safety and production with load capacities ranging from 100 to 600 kgs on each end of the boom. The stroke of column and boom from 2m x 2m to 7m x 7m. All manipulators are available as different mount type for different welding process. Special engineered manipulators are always available.

### Features

Precise reach and lift ranges from 2m to 7m

Bolt-down, free standing base or mounted on travel car as per request

Column rotation available

Safety anti-fall device

Rack & pinion elevating system

Special capacity is available



# Specifications

Specification	Unit	MP-20L	MP-30L	MP-30M	MP-40M	MP-50H	MP-60H	MP-70H
Power input		AC 220V / 380V, 50 / 60Hz, 3 phase						
Boom motor	hp	1/4		1/2		1/2		
Column motor	hp	1		1		1.5		
Overall height(A)	mm	3,500	4,500	5,040	6,040	7,500	8,500	9,500
Overall width(B)	mm	2,900	3,900	4,400	5,400	6,850	7,850	8,850
Overall length(C)	mm	1,500		1,850		2,200		
Track gauge(D)	mm	1,100		1,600		2,100		
Car width(E)	mm	1,300		1,800		2,300		
Min. boom height form floor	mm	500		650		850		
Min. boom distance from column	mm	500		700		925		
Stroke (boom x column)	m	2 x 2	3 x 3	3 x 3	4 x 4	5 x 5	6 x 6	7 x 7
Load on one end	kg	150	100	300	200	300	200	100
Load on both end	kg	300	200	600	400	600	400	200
Boom speed	mm/min	250 ~ 2,500						
Lift speed	mm/min	1,200						
Car speed		1,500 ( 250 ~ 2,500)*1						
Column ration	deg	360						

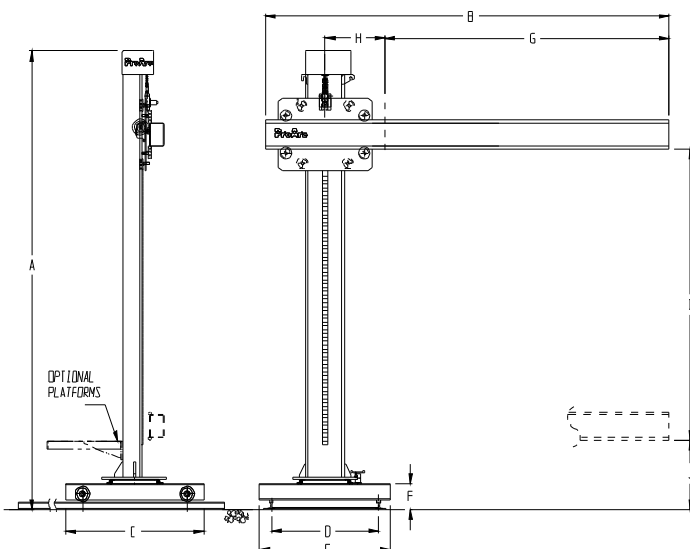
1 Optional variable speed control

\*Specifications subject to change without notice

## Options

- Torch swivel, 0 ~ 180°
- Support platform
- Free standing base
- 360° base rotation
- Variable speed travel car
- Precision track, 3m section
- More..

## Dimensions



**UNITED PROARC CORPORATION**

No.3, Gungye 10th Road, Pingjen Ind. Park, Pingjen City, Taoyuan 32459, Taiwan  
 Tel: 886-3-4696600 Fax: 886-3-4694499 <http://www.proarc.com.tw> E-mail: [sales@proarc.com.tw](mailto:sales@proarc.com.tw)

SD-4015E